

4

3

2

1

THIS DRAWING IS UNPUBLISHED.
DIFFUSION RESEINTE AMP

RELEASED FOR PUBLICATION

.19

© COPYRIGHT 1997

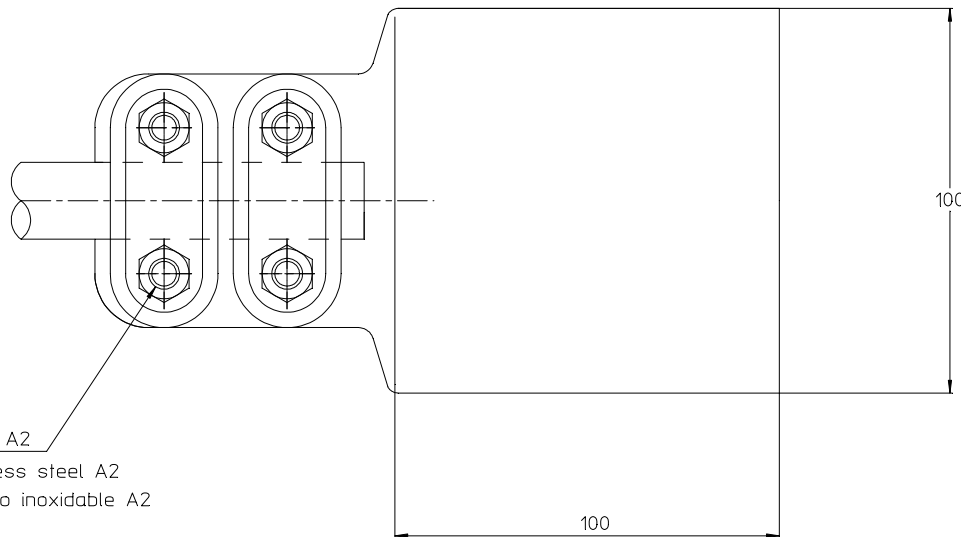
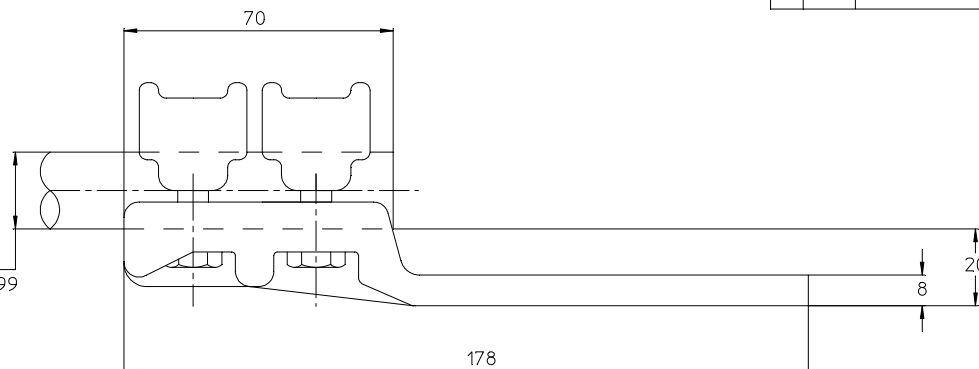
BY AMP INCORPORATED. ALL RIGHTS RESERVED.
TOUS DROITS RESERVES

LOC DIST
FH 2

REVISIONS

P	LTR REV	DESCRIPTION MODIFICATIONS	DATE	DWN DESS.	APVD APP.
A		FE971	20/12/9	-	-
B		E000-0170-99	7-Apr-99	EN	HV

Cable ou tube ø16 à 20.99
Cable or tube 16DIA to 20.99
Cable o tubo ø16 a 20.99



20 Nm { 4 Boulons ø8 inox A2
4 Bolts 8DIA Stainless steel A2
4 Tornillos ø8 Acero inoxidable A2

<small>THIS DRAWING IS A CONTROLLED DOCUMENT FOR AMP INCORPORATED. IT IS SUBJECT TO CHANGE AND THE CONTROLLING ENGINEERING ORGANIZATION SHOULD BE CONTACTED FOR THE LATEST REVISION. CE PLAN EST UN DOCUMENT CONTROLÉ PAR AMP INCORPORATED. IL EST SUSCEPTIBLE D'ÊTRE REVISÉ, CONTACTER LE SERVICE TECHNIQUE D'AMP SIMEL POUR OBTENIR LA DERNIÈRE REVISION.</small>		DWN /DESSINE 20/12/9 NIVOS E CHK /VERIFIE 7-Apr-99 ROYER		AMP AMP-SIMEL 21220 Gevrey Chambertin FRANCE	
DIMENSIONS: mm		TOLERANCES UNLESS OTHERWISE SPECIFIED PER TOLERANCES NON SPECIFIEES SELON : -		APVD /APPROUVE - VIAL PRODUCT SPEC SPEC. PRODUIT 02BFC0031 APPLICATION SPEC SPEC. APPLICATION -	
		WEIGHT MASSE APPROX. 0.55 KG		NAME TITRE CD 82 20 100	
MATERIAL MATIERE -		FINISH FINITION -		SIZE FORMAT A3	
		CUSTOMER DWG / PLAN CLIENT		CAGE CODE 00779 DRAWING NO NO PLAN ©-710990	
		UNQUEMENT FOUR REFERENCE		SCALE ECHELLE 3/4	
		SHEET FEUILLE 1 OF 1 DE 1		REV B	

ITEM:

